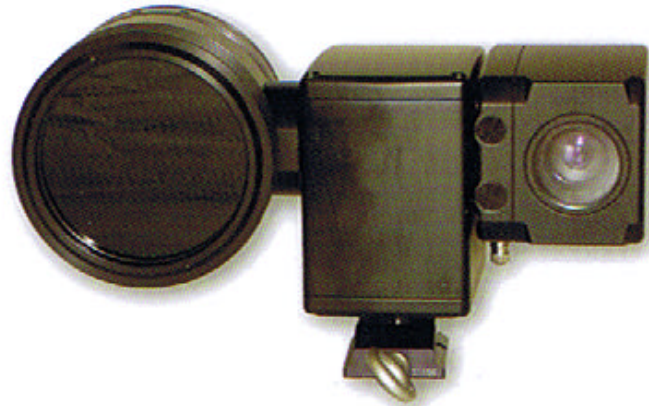


# Mini m3g™



## ► Product Overview

RVision's Mini™ pan/tilt/zoom camera is the third generation of RVision's highly successful pan/tilt/zoom camera. At only 2.1 Kg it is the lightest high quality color/NIR (near infrared) camera with 25X optical zoom and internal stabilization on the market. The environmentally hardened IP67 rated aluminum housing makes this small versatile camera able to withstand high-pressure water jet cleaning when positioned on bridges and in tunnels. Its internal vibration isolation feature provides jitter-free video, making the camera ideal for both fixed and mobile applications. Its small size makes it virtually unnoticeable thus enhancing your overall security and surveillance needs. The innovative and patent pending QuickConnect™ feature allows the use of the RVision CCTV, IR or Near IR Camera System to be hot-swapped and interchangeable from a fixed location to a mobile unit; giving the end-user the ability to meet all of the requirements for day/night security operations.

Current uses include perimeter security, police and other early response command vehicles, bridges, ports, IED removal, flight line operations, tunnels and rail yards. The Mini's™ high quality image mirrors RVision's many highly successful products. Using the slow scan feature and NIR imaging mode enables near-zero ambient light operation. When adding the optional NIR illuminator it creates a zero ambient night vision solution at distances up to 500 feet.

As in most RVision products, the Mini™ can be used with existing legacy CCTV systems as well as third party encoders, DVR's, video servers and other security management tools.

## ► Key Features

- Auto-Focus
- Image Stabilization
- Hot Swappable
- QuickConnect™
- Low Power for solar power applications
- Pressurized Nitrogen back-filled
- Optional IP Addressable
- Optional Color/NIR/ Fixed FOV 25X Optical / 12X Digital zoom
- Optional Hood, Bird Spikes, and Wiper Blade
- Optional Microphone



# Mini m3g™

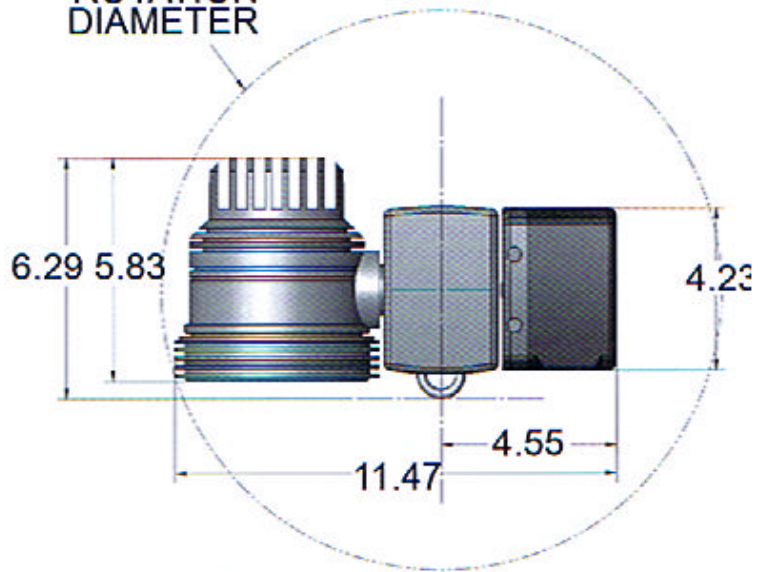
SPECIFICATION:  
 WEIGHT 8LB  
 TILT ANGLE  $\pm 95^\circ$   
 TOTAL PAN ANGLE  $540^\circ$

## ► Technical Specifications

- Pan Angle Range.....  $540^\circ$
- Tilt Angle Range.....  $190^\circ$
- Pan Speed.....  $0.5^\circ$  to  $180^\circ$  / s
- Tilt Speed.....  $0.3^\circ$  to  $45^\circ$  / s
- Pan/Tilt Encoder Resolution.....  $0.5^\circ$
- Weight..... 4.5 lbs (2.2 Kg)
- Housing Material..... Aluminum
- Power..... 5 W, 25 W peak max, 450 ms
- Vibration...3 grms 3 axis, Random 5 to 1000 Hz
- Temperature.....  $-20^\circ$  to  $+70^\circ$  C
- Optional.....  $-40^\circ$  to  $+70^\circ$  C
- Mounting..... QuickConnect™
- Leveling..... Mount Adjustment
- Optical Zoom..... 25X
- Digital Zoom..... 12X
- Imaging Modes..... Color/Near Infrared
- TV Lines (NTSC/PAL)..... 470/460
- PEL Count (NTSC/PAL)..... 680,000/  
800,000
- Dynamic Range..... 49 dB
- Light Sensitivity..... .02 Lux NIR Mode
- Low Light—Long Integration..... Yes—0.25 sec
- Auto Focus..... Yes
- Image Stabilization..... Yes
- Rich Exposure Color..... Yes
- Time Stamp/Titling in Video..... Yes
- Detector Sensor Inputs..... 2, NO or NC



Ø14.57  
 HORIZONTAL  
 ROTATION  
 DIAMETER



Ø7.36  
 VERTICAL  
 ROTATION  
 DIAMETER

